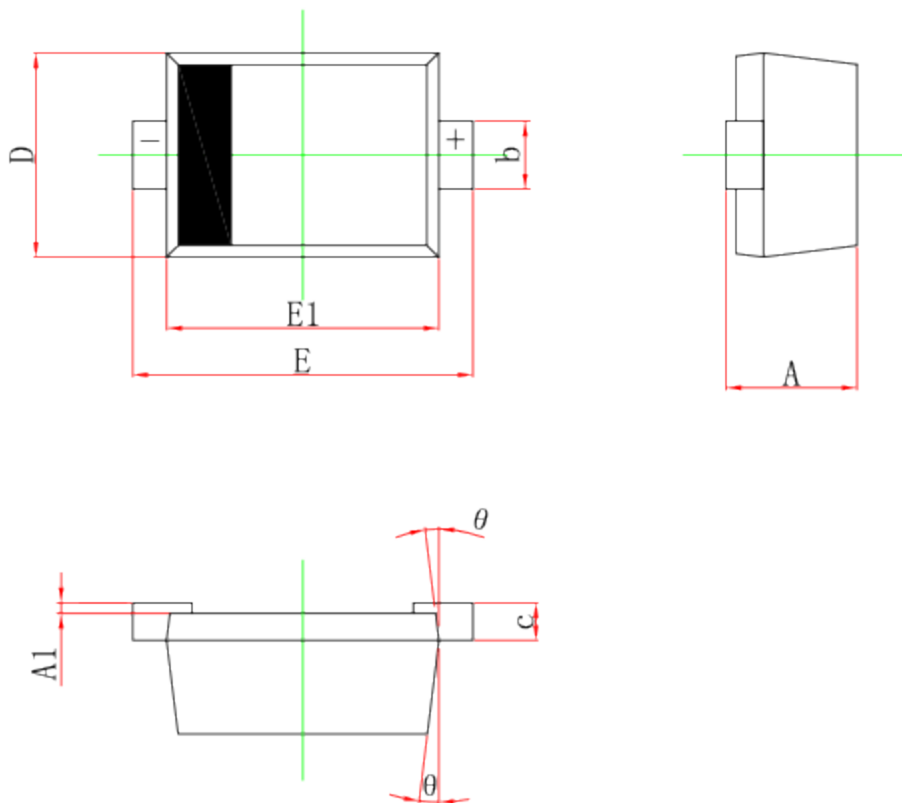
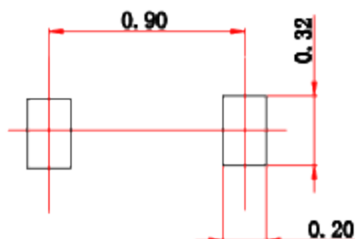


## SOD-923 PACKAGE OUTLINE DIMENSIONS



Symbol	Dimensions In Millimeters		Dimensions In Inches	
	Min.	Max.	Min.	Max.
A	0.350	0.430	0.014	0.017
A1	0.000	0.050	0.000	0.002
b	0.170	0.270	0.007	0.011
c		0.150		0.006
D	0.550	0.650	0.022	0.026
E	0.900	1.100	0.035	0.043
E1	0.750	0.850	0.030	0.033
$\theta$	7° REF.		7° REF.	



- 技术要求**
1. 塑封体尺寸: 0.80×0.60;
  2. 未注公差为: ±0.05;
  3. 所有单位为: mm。

中心距: 0.90  
脚宽: 0.10  
焊盘宽: 0.20  
脚长: 0.20  
焊盘长: 0.32

媒体编号

镀涂

旧底图总号

SOD-923  
焊盘

底图总号

更改标记	数量	更改单号	签名	日期

等级标记	版号	比例
	A	40:1
第 1 张		共 1 张

日期 签名

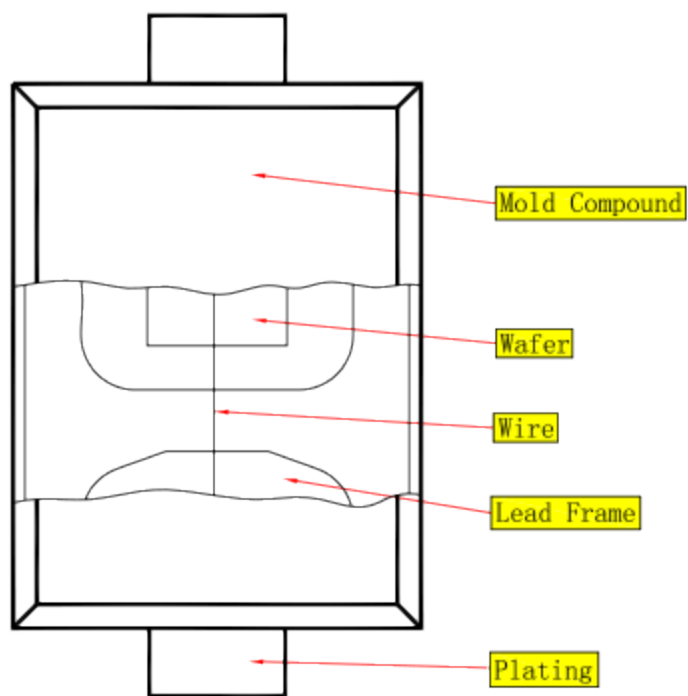

江苏长电科技股份有限公司

格式 (1)

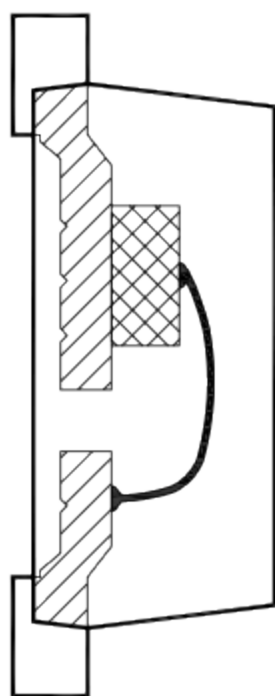
制图:

描图:

幅面: A4



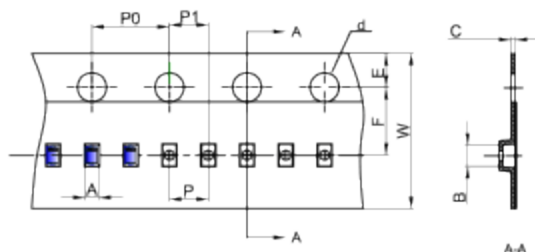
正面



侧面

## SOD-923 Tape and reel

### SOD-923 Embossed Carrier Tape

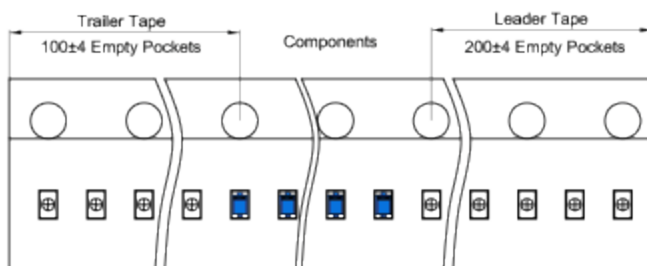


#### Packaging Description:

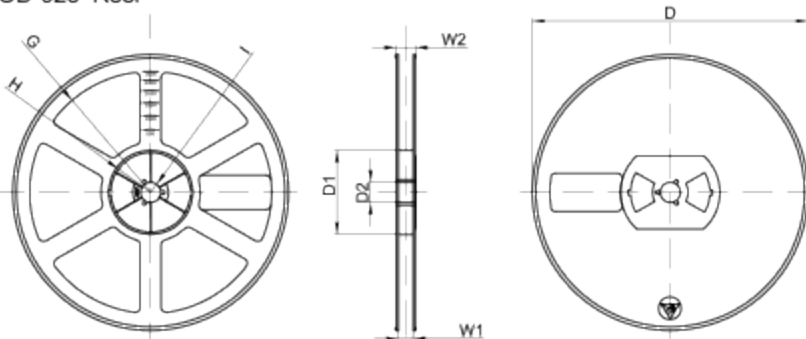
SOD-923 parts are shipped in tape. The carrier tape is made from a dissipative (carbon filled) polycarbonate resin. The cover tape is a multilayer film (Heat Activated Adhesive in nature) primarily composed of polyester film, adhesive layer, sealant, and anti-static sprayed agent. These reeled parts in standard option are shipped with 8,000 units per 7" or 17.8cm diameter reel. The reels are clear in color and is made of polystyrene plastic (anti-static coated).

Dimensions are in millimeter										
Plg type	A	B	C	d	E	F	P0	P	P1	W
SOD-923	0.66	1.12	0.23	Ø1.50	1.75	3.50	4.00	2.00	2.00	8.00
(Tolerance)	+/-0.05	+/-0.05	+/-0.05	+/-0.1	+/-0.1	+/-0.1	+/-0.1	+/-0.1	+/-0.1	+0.3/-0.1

### SOD-923 Tape Leader and Trailer



### SOD-923 Reel

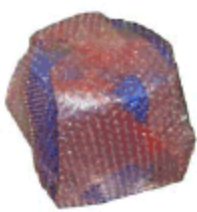


Dimensions are in millimeter								
Reel Option	D	D1	D2	G	H	I	W1	W2
7" Dia	Ø178.00	54.40	13.00	R78.00	R25.60	R6.50	9.50	12.30
Tolerance	+/-2	+/-1	+/-1	+/-1	+/-1	+/-1	+/-1	+/-1

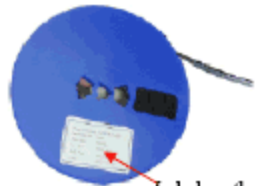
REEL	Reel Size	Box	Box Size(mm)	Carton	Carton Size(mm)	G.W.(kg)
8000 pcs	7 inch	120,000 pcs	203×203×195	480,000 pcs	438×438×220	



The bottom gasket



8000 x 15 PCS



8000 x 1 PCS

Label on the Reel



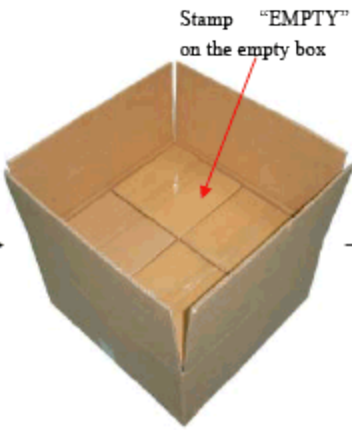
The top gasket



Seal the box with the tape

Label on the Inner Box

Inner Box: 203 mm x 203 mm x 195 mm



Stamp "EMPTY" on the empty box

Seal the box with the tape

QA Label

Label on the Outer Box  
Outer Box: 438 mm x 438 mm x 220 mm  
January 2014, Rev.B